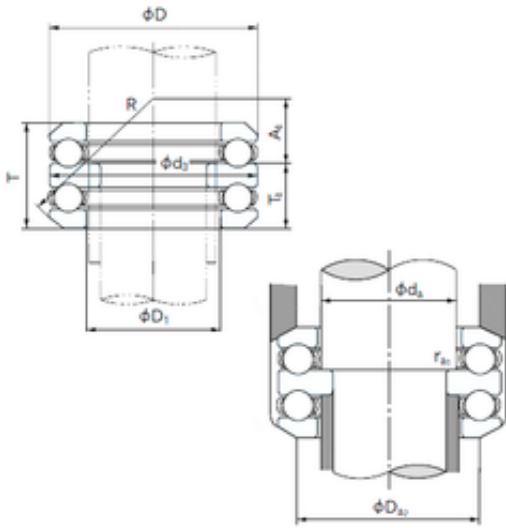


54324 NACHI Thrust Ball Bearings

Bearing No. 54324



54324 Bearing 2D drawings and 3D CAD models

Size	120x210x131.2 mm
Bore Diameter	120 mm
Outer Diameter	210 mm
Width	131.2 mm
d	120 mm
d2	100 mm
D	210 mm
T	131.2 mm
ra1 max.	1 mm
T1	79.1 mm
a	27 mm
d3	209.5 mm
r min.	2.1 mm
r1 min.	1.1 mm
A1	58 mm
D1	123 mm
D2	165 mm
D3	220 mm
R	160 mm
da min.	120 mm
Da max.	165 mm
ra max.	2 mm
Weight	16.9 Kg
Basic dynamic load rating (C)	267 kN
Basic static load rating (C0)	870 kN
(Grease) Lubrication Speed	790 r/min



Boyal Industrial Pte Ltd.